

# oventrop

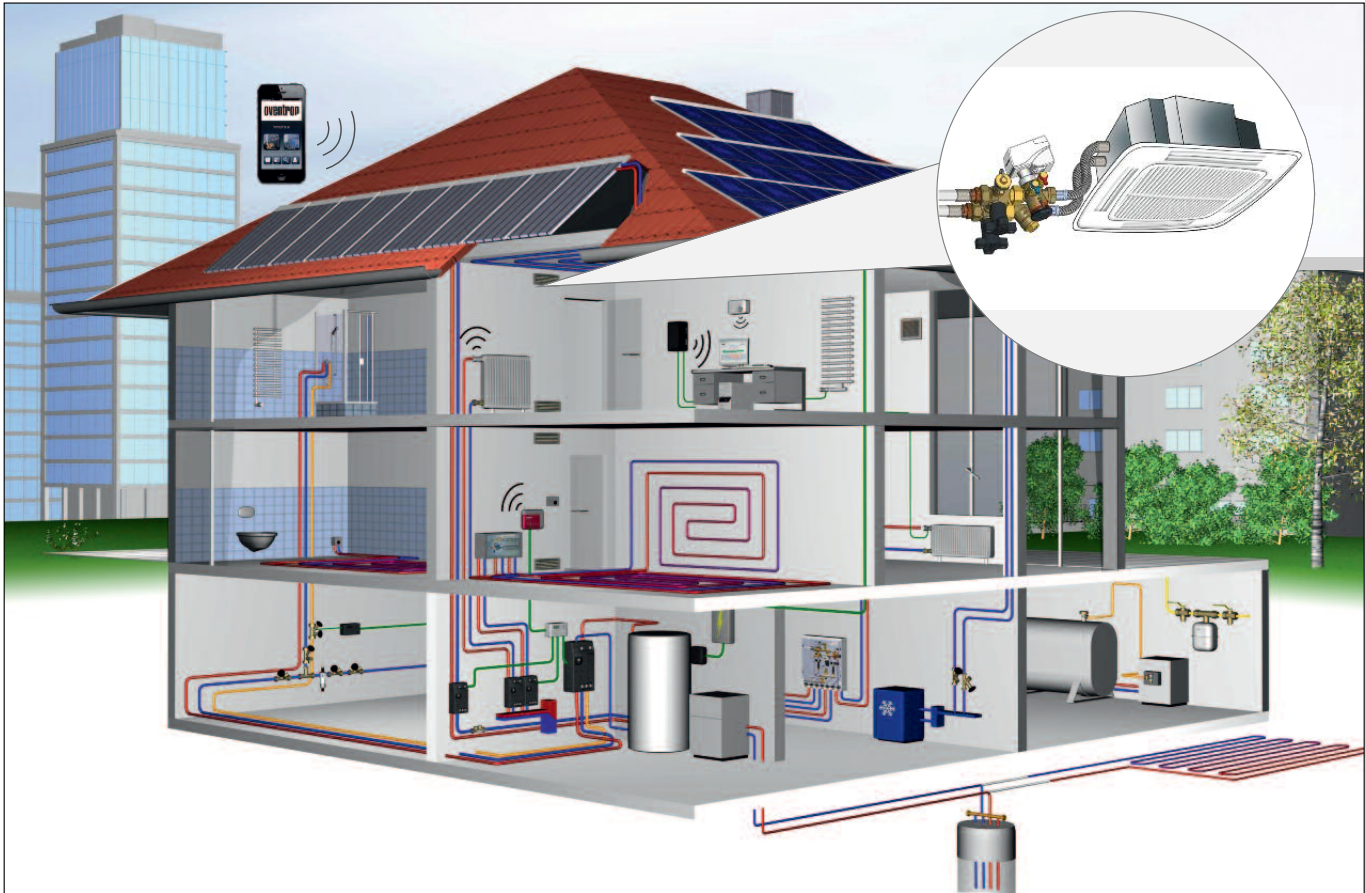
Innovation + Quality

Valves, controls + systems

Connection fitting "Flypass 4TZ"  
Control and maintenance of fan coil units

Product range





System illustration



Connection fitting "Flypass 4TZ" for the control and maintenance of fan coil units

### Summary

The Oventrop connection fitting "Flypass 4TZ" is used for the connection of fan convectors (fan coil units), chilled ceiling modules, induction air systems, cooling and heating zones etc. to the pipework of central heating and cooling systems with closed circuit. The direction of flow is optional. The connection fitting can be installed in any position (horizontal, oblique or vertical, in ascending and descending sections).

The ball positions and thus the flow directions of the three-way balls are displayed by the shape of the handle.

### Advantages:

- three-way balls which can be turned by 180° allow multiple positions
- the ball positions are displayed by the shape of the handle and the imprinted flow directions
- the flat sealing connection to the appliance side allows a connection without intermediate pieces
- various fittings for direct connection available
- the extended handles allow an insulation of the fitting
- a fill and drain ball valve is supplied with the fitting
- additional connection for another fill and drain ball valve
- differential pressure measurement across the appliance side (with use of additional fill and drain ball valve)

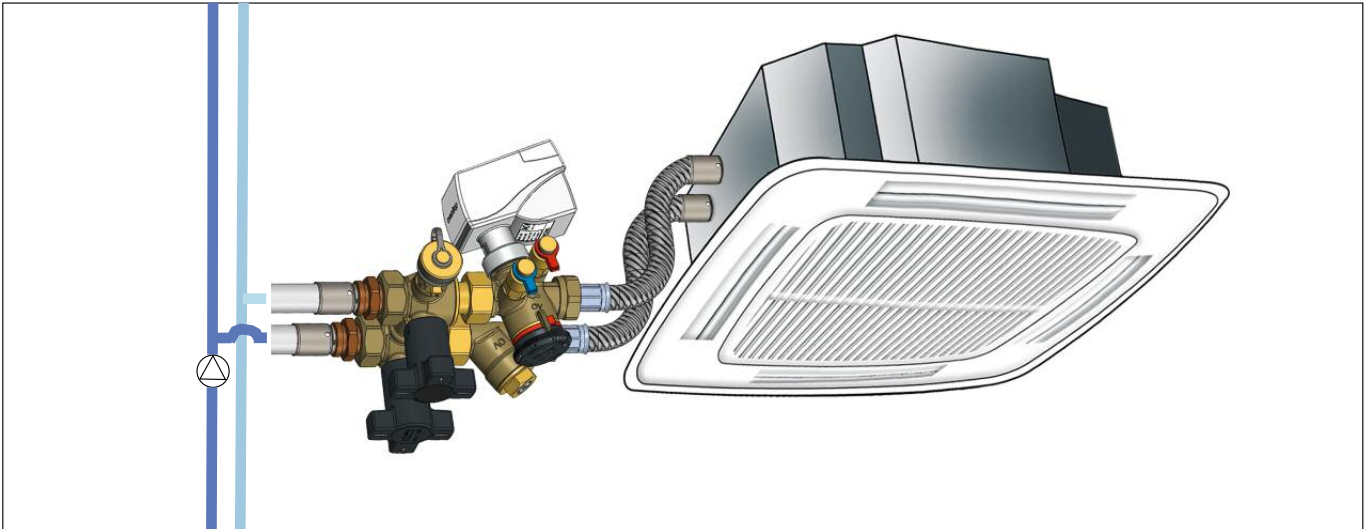
### Functional description (see page 3)

The connection fitting "Flypass 4TZ" is used for the isolation, flushing, draining and bleeding of the supply and return pipe installed in the flow direction in front of the fitting or the succeeding sections of the system.

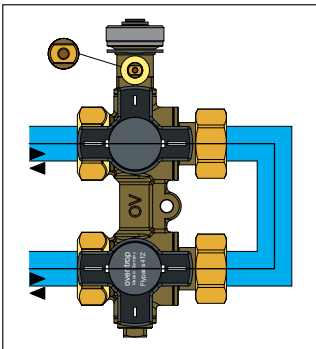
The connection fitting can be converted to bypass operation. The ball positions and thus the flow directions are displayed by the shape of the handle. The fitting features two lateral connections G 1/4 for the connection of Oventrop fill and drain ball valves (one fill and drain ball valve is supplied with the fitting) or pressure test points of the "Hydro-control" product range. The extended handles allow an insulation of the fitting. Different products (accessories) for the direct connection to the fitting "Flypass 4TZ" are available.

The body is made of dezincification resistant brass, the seals of EPDM or PTFE and the handles of polyamide.

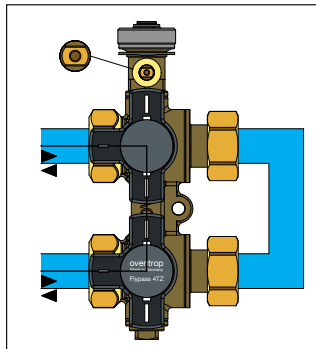
### System illustration with “Flypass set 1” (with optional actuator)



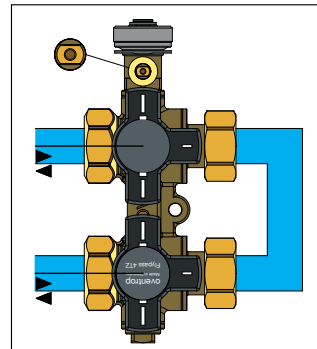
### Functional description “Flypass 4TZ”



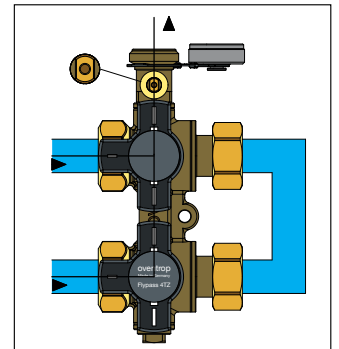
Normal operation



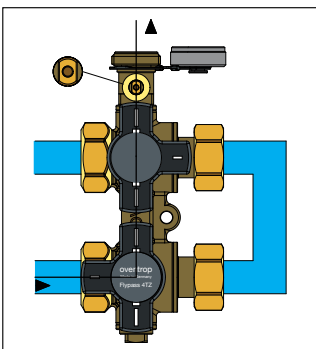
Bypass operation



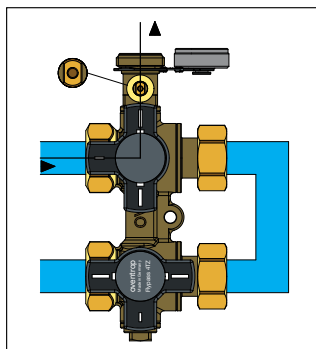
Isolation



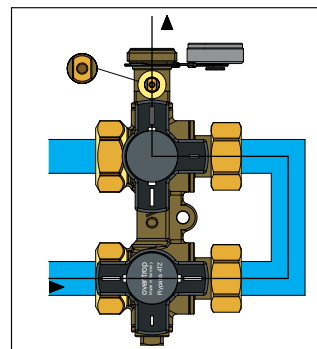
Filling and bleeding  
the system side



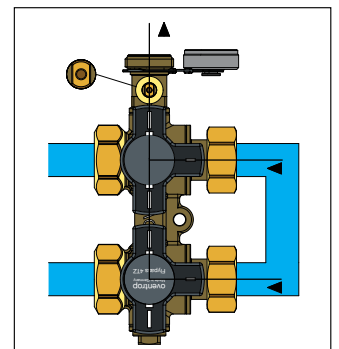
Draining, bleeding and  
flushing the system side



Draining, bleeding and  
flushing the system side

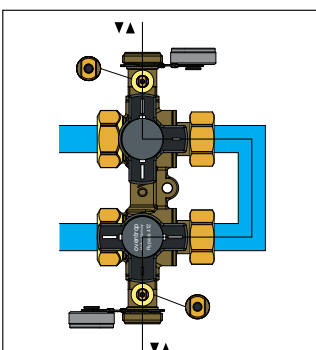


Filling, bleeding and  
flushing the appliance side

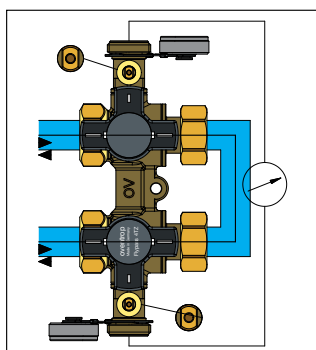


Isolating and draining  
the appliance side

### Functions “Flypass 4TZ” with accessories (fill and drain ball valve 1060191)



Re-filling, bleeding and  
flushing the appliance side



Differential pressure  
measurement

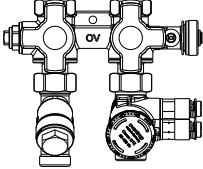
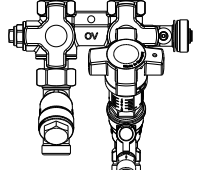
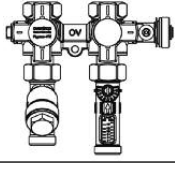
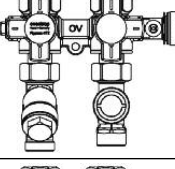
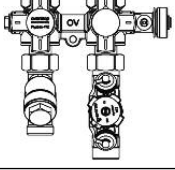
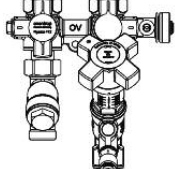
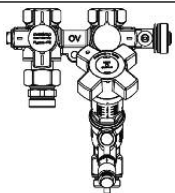
Illustration	Connection sets “Flypass”	Components	Item no.:	
			DN 15	DN 20
	<b>“Flypass set 1”</b> consisting of “Flypass” fitting with strainer and pressure independent control valve “Cocon QTZ”	consisting of: 1x “Flypass 4TZ” 1149504 1x Strainer 1141004 1x “Cocon QTZ” 1146104 2x Insert 1650793	<b>DN 15</b>	<b>1149550</b>
		1x “Flypass 4TZ” 1149506 1x Strainer 1141006 1x “Cocon QTZ” 1146066 2x Insert 1650793	<b>DN 20</b>	<b>1149551</b>
	<b>“Flypass Set 2”</b> consisting of “Flypass” fitting with strainer and double regulating and commissioning valve “Hydrocontrol VTR”	consisting of: 1x “Flypass 4TZ” 1149504 1x Strainer 1141004 1x “Hydrocontrol VTR” 1060564	<b>DN 15</b>	<b>1149560</b>
		1x “Flypass 4TZ” 1149506 1x Strainer 1141006 1x “Hydrocontrol VTR” 1060566	<b>DN 20</b>	<b>1149561</b>

Illustration	Exemplary valve sets	Components	Item no.:	
			DN 15	DN 20
	<b>“Flypass Set 3”</b> consisting of “Flypass” fitting with strainer and double regulating and commissioning valve with flow display “Hycoflow VTB”	1x “Flypass 4TZ” 1x Strainer 1x “Hycoflow VTB” Double regulating and commissioning valve with flow display	<b>1149504</b> <b>1141004</b> <b>1060906</b>	<b>1149506</b> <b>1141006</b> <b>1060908</b>
	<b>“Flypass Set 4”</b> consisting of “Flypass” fitting with strainer and regulating valve “Hycococon ETZ”	1x „Flypass 4TZ“ 1x Strainer 1x “Hycococon ETZ” Regulating valve	<b>1149504</b> <b>1141004</b> <b>1063964</b>	<b>1149506</b> <b>1141006</b> <b>1063966</b>
	<b>“Flypass Set 5”</b> consisting of “Flypass” fitting with strainer and double regulating and commissioning valve “Hycococon VTZ”	1x “Flypass 4TZ” 1x Strainer 1x “Hycococon VTZ” Double regulating and commissioning valve	<b>1149504</b> <b>1141004</b> <b>1061854</b>	<b>1149506</b> <b>1141006</b> <b>1061855</b>
	<b>“Flypass Set 6”</b> consisting of “Flypass” fitting with strainer and double regulating and commissioning valve “Hydrocontrol MTR”	1x “Flypass 4TZ” 1x Strainer 1x “Hydrocontrol MTR” Double regulating and commissioning valve	<b>1149504</b> <b>1141004</b> <b>10619..</b>	<b>1149506</b> <b>1141006</b> <b>1061906</b>
	<b>“Flypass Set 7”</b> consisting of “Flypass” fitting with double nipple and double regulating and commissioning valve “Hydrocontrol MTR”	1x “Flypass 4TZ” 1x Double nipple 1x “Hydrocontrol MTR” Double regulating and commissioning valve	<b>1149504</b> <b>1149070</b> <b>10619..</b>	<b>1149506</b> <b>1149071</b> <b>1061906</b>

Subject to technical modifications.

