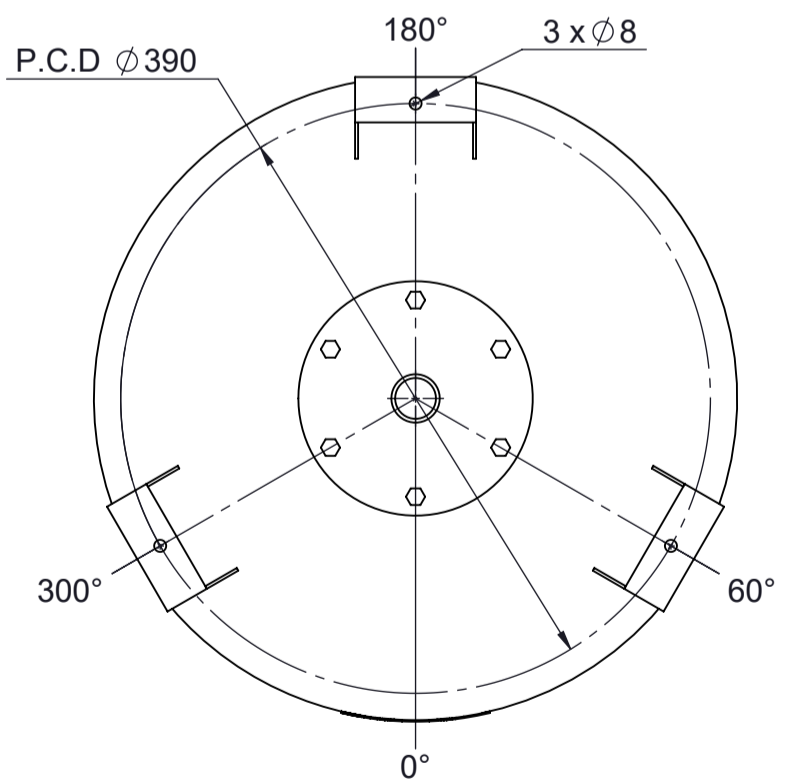
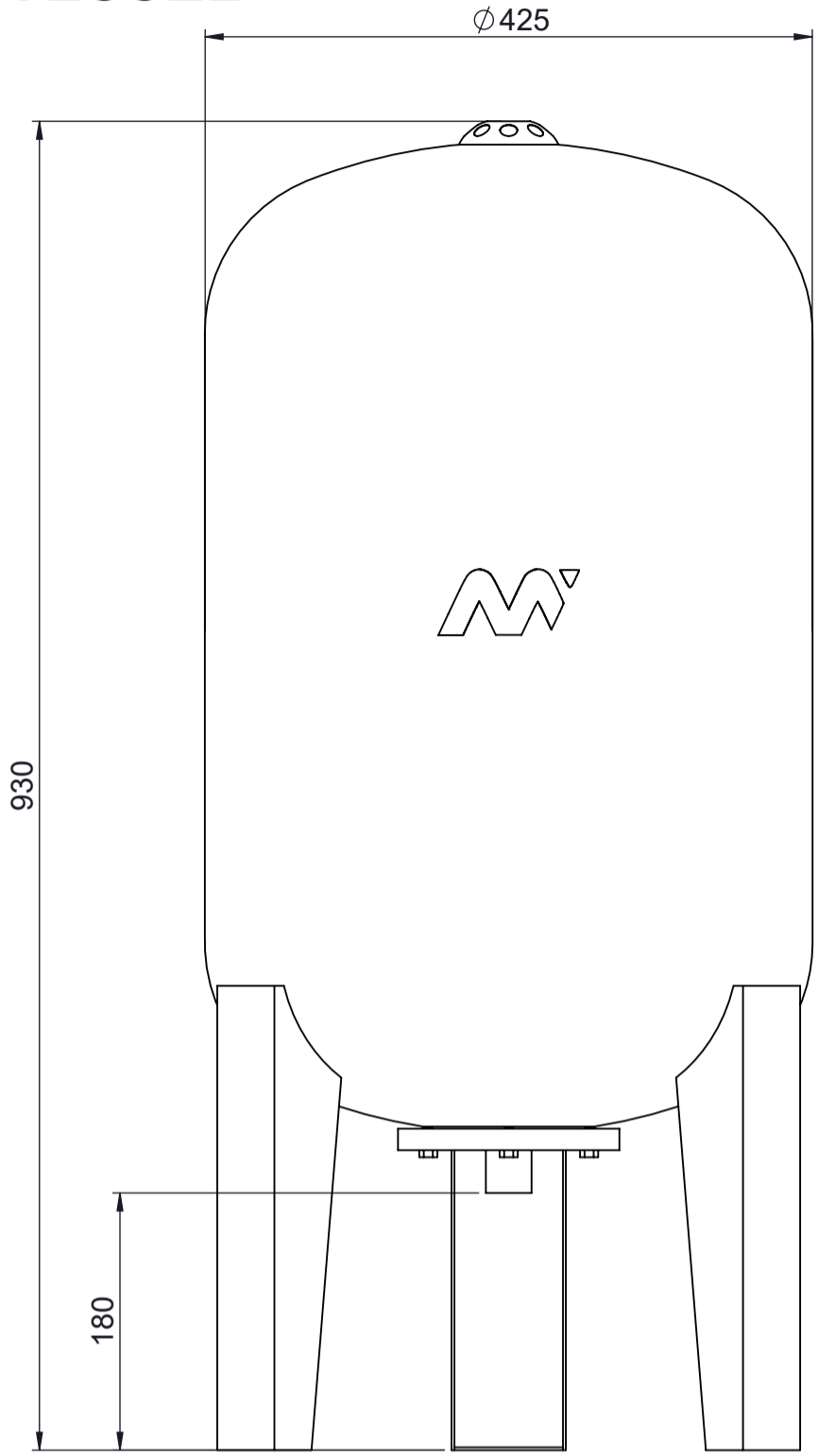


AQUAFLEX 80L EXPANSION VESSEL


10AF80

MODEL	10AF80
NOMINAL VOLUME	80L
DESIGN PRESSURE	10 bar
PRE-CHARGE	2 bar
CONNECTION	1" BSP Male
MEMBRANE	EPDM
WEIGHT	15 kg

LABELS
 A - SCHRADER VALVE
 B - CONNECTION



THIS DRAWING IS FOR REFERENCE ONLY I.E. NOT FOR CONSTRUCTION

NOTES MASTERFLOW SOLUTIONS PTY LTD RESERVES THE RIGHT TO AMEND THE DESIGN WITHOUT PRIOR NOTICE. UNLESS OTHERWISE SPECIFIED 1. ALL DIMENSIONS ARE IN MM 2. TOLERANCES ± 10MM PROPRIETY AND CONFIDENTIAL THE INFORMATION CONTAINED IN THIS DRAWING IS THE SOLE PROPERTY OF MASTERFLOW SOLUTIONS PTY LTD. ANY REPRODUCTION IN PART OF AS A WHOLE WITHOUT THE WRITTEN PERMISSION OF MASTERFLOW SOLUTIONS PTY LTD IS STRICTLY PROHIBITED.	DRAWN DN 30/09/2021 CHECKED AY 30/09/2021 APPROVED RH 30/09/2021	 Call +61 2 9748 2022 or visit masterflow.net.au	
	MATERIAL MILD STEEL		
	MAX WORKING PRESSURE 10 bar	DWG NO 10AF80	REV A
	SIZE A3	SCALE 1:5	PAGE 1 OF 1