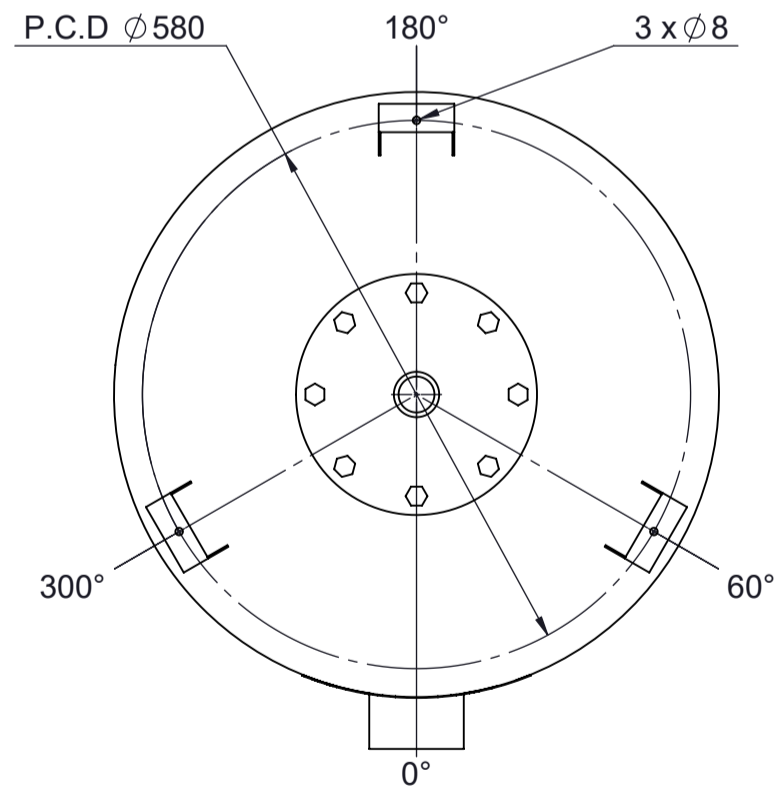
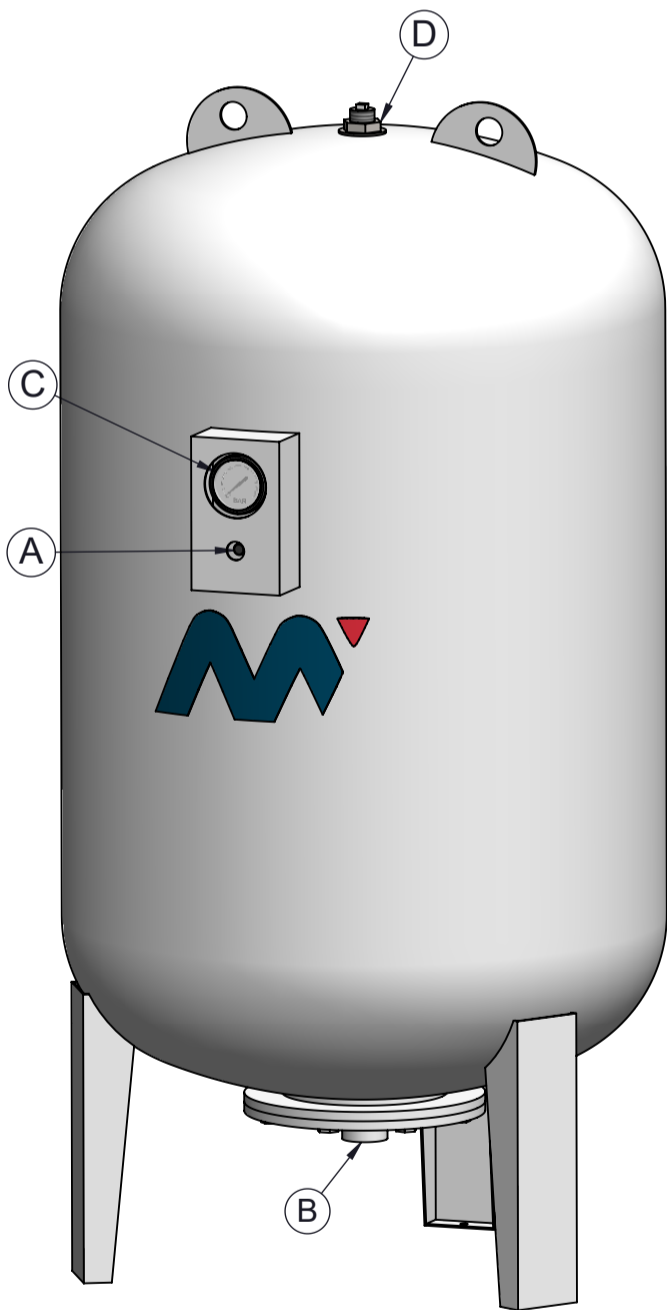
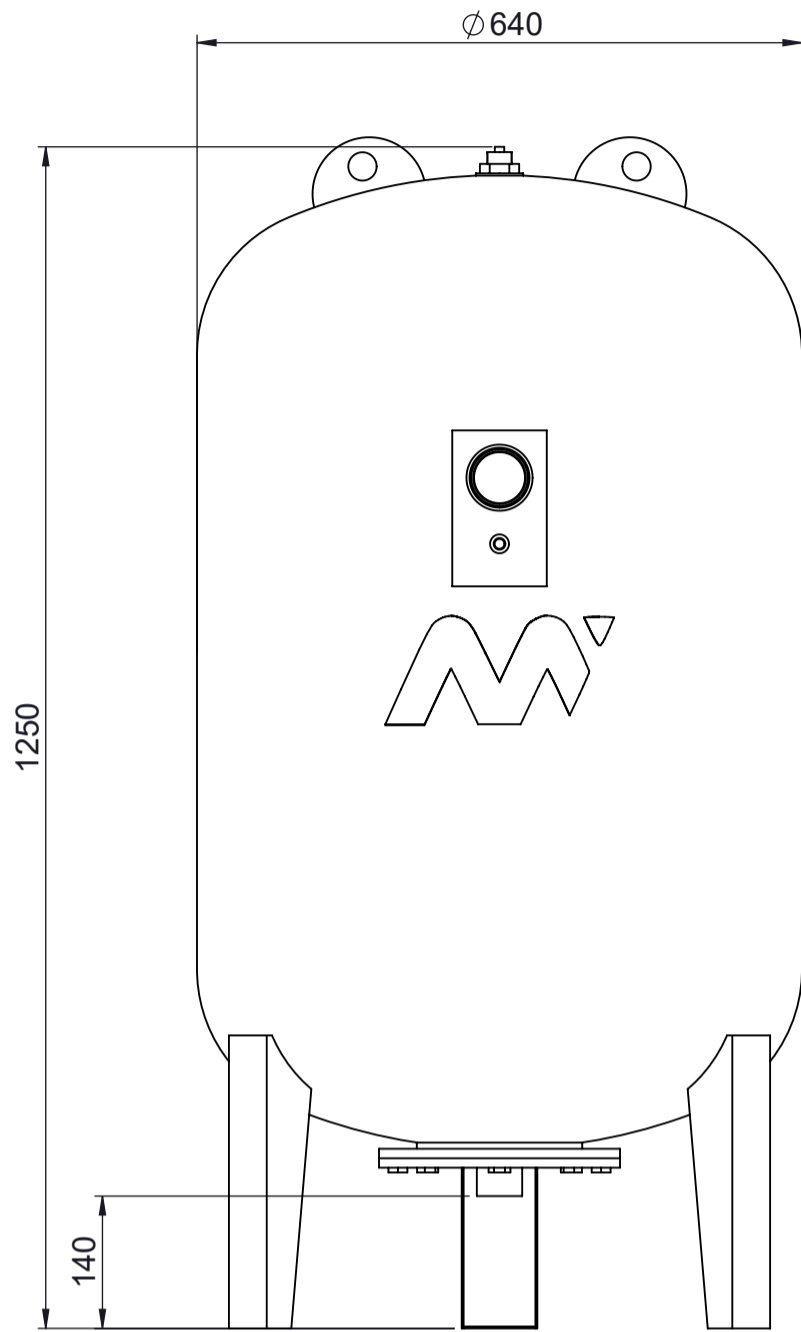


AQUAFLEX 300L EXPANSION VESSEL

10AF300

MODEL	10AF300
NOMINAL VOLUME	300L
DESIGN PRESSURE	10 bar
PRE-CHARGE	4 bar
CONNECTION	1 1/4" BSP Female
MEMBRANE	EPDM
WEIGHT	44 kg

LABELS	
A -	SCHRADER VALVE
B -	CONNECTION
C -	GAUGE
D -	MEMBRANE ANCHOR NUT



THIS DRAWING IS FOR REFERENCE ONLY I.E. NOT FOR CONSTRUCTION

NOTES MASTERFLOWSOLUTIONS PTY LTD RESERVES THE RIGHT TO AMEND THE DESIGN WITHOUT PRIOR NOTICE.	DRAWN DN 30/09/2021	 Call +61 2 9748 2022 or visit masterflow.net.au	
	CHECKED AY 30/09/2021		
	APPROVED RH 30/09/2021		
UNLESS OTHERWISE SPECIFIED 1. ALL DIMENSIONS ARE IN MM 2. TOLERANCES ± 10MM	MATERIAL MILD STEEL	TITLE 300L AQUAFLEX EXPANSION VESSEL	
PROPRIETY AND CONFIDENTIAL THE INFORMATION CONTAINED IN THIS DRAWING IS THE SOLE PROPERTY OF MASTERFLOW SOLUTIONS PTY LTD. ANY REPRODUCTION IN PART OF AS A WHOLE WITHOUT THE WRITTEN PERMISSION OF MASTERFLOW SOLUTIONS PTY LTD IS STRICTLY PROHIBITED.	MAX WORKING PRESSURE 10 bar	DWG NO 10AF300	REV A
	THIRD ANGLE PROJECTION 	SIZE A3	SCALE 1:8