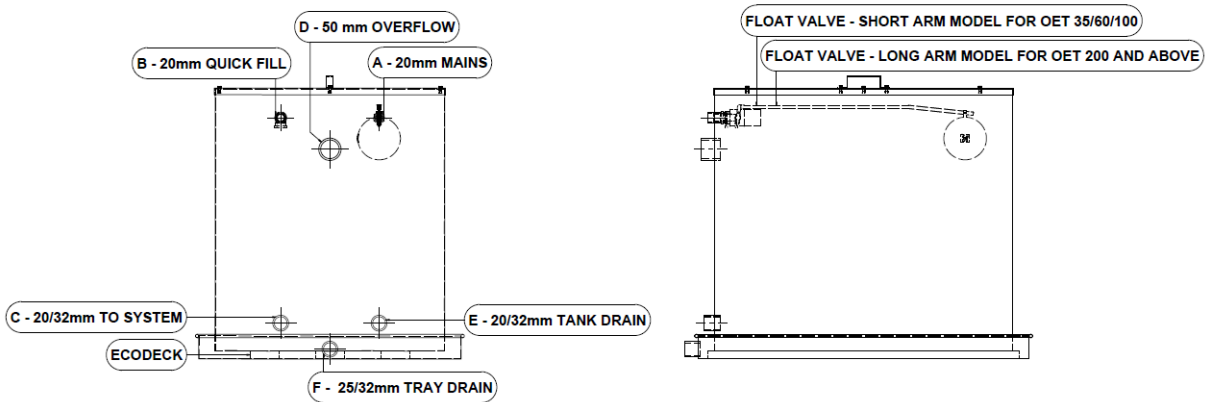


OPEN EXPANSION TANKS

Masterflow Open Expansion Tanks, commonly referred to as Feed & Expansion Tanks, are used in open type systems to provide automatic make-up and allow for system expansion. Tanks are of stainless steel construction and are generally supplied with internal ball float, safety overflow tray and lid.

FEATURES

- 304 stainless steel construction
- Safety tray and lid supplied
- Lid includes 'D' handle for easy removal
- Female BSP connections
- Approved level float
- Non metallic supports for positioning between the tank and the tray (as detailed in AS 3500) can be supplied if required. (minimum 12mm thick)
- Treated timber decking gives optimum tank support
- Legs can be bolted down



TANK SPECIFICATIONS

MODEL	VOLUME		L X W X H (MM)		WEIGHT	
	TOTAL	EXPANSION	TANK	TRAY	EMPTY	OPERATING
OET35	35	17.5	350 x 250 x 425	400 x 300 x 55	10	27.5
OET60	60	30	500 x 300 x 425	550 x 350 x 55	14.8	44.8
OET100	100	60	550 x 320 x 600	600 x 370 x 60	19.3	79.3
OET200	200	119	700 x 500 x 600	800 x 600 x 75	28	147
OET300	300	180	780 x 680 x 600	880 x 780 x 75	38.5	218.5

Custom made stands also available on request.